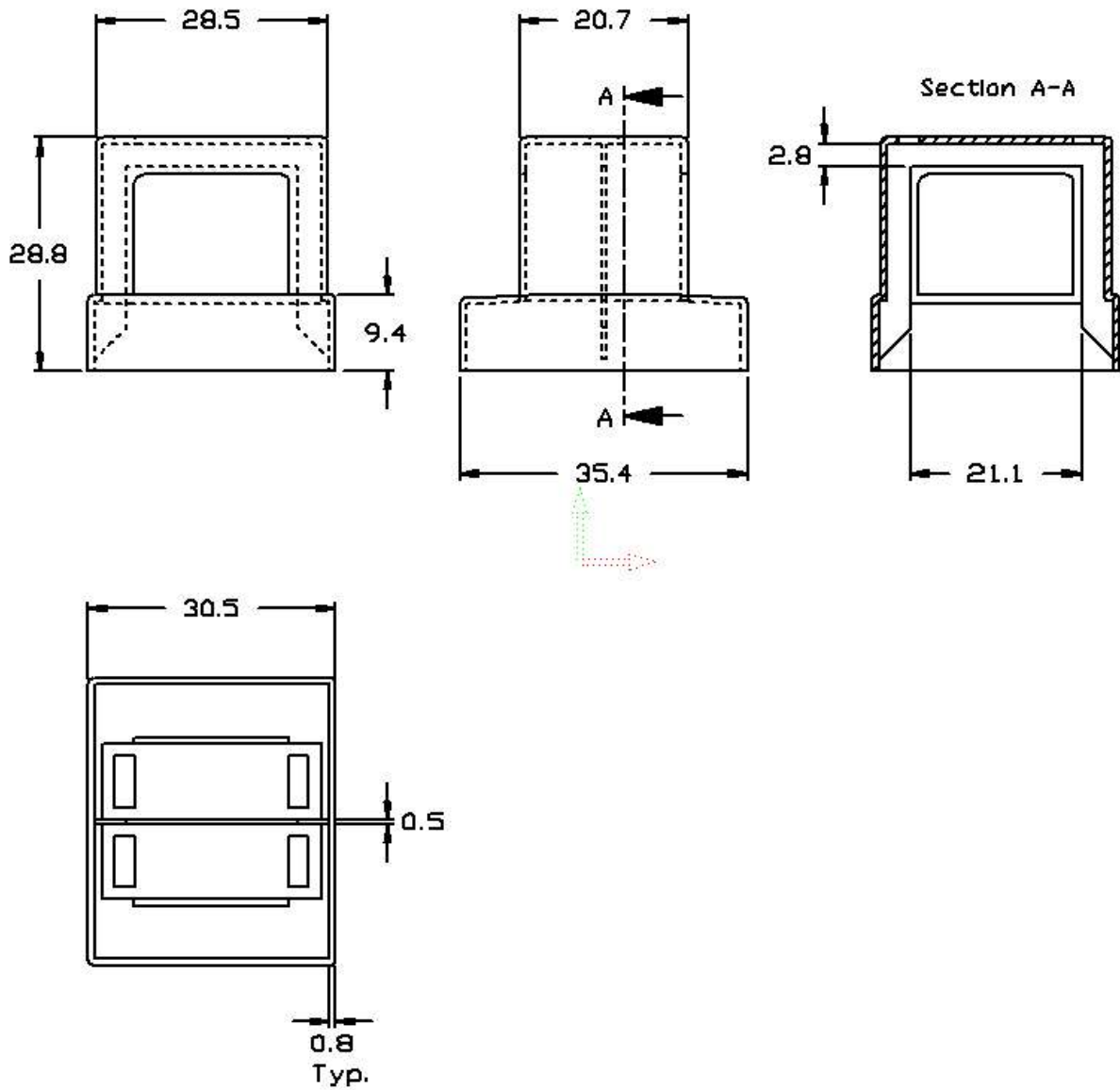


Part No. VM0951
EI 41 x 11 Insulation Cover



Dimensions in millimetres.

